

N CNW 905

Three-phase line choke 2 % U_k

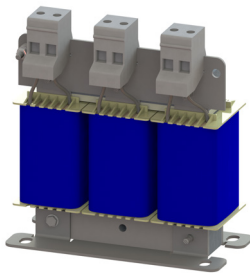
Advantages

- Compact design
- Extended service life for electrical loads
- Minimal thermal losses
- Damping of current peaks up to 30 %
- Reduction of the input current up to 15 %
- Low noise
- Production according to UL insulation system E251513 possible

Description

- Nominal voltage: $U \leq 3 \times 500 \text{ V}$
- Short-circuit voltage: U_k 2 % (400VAC/50Hz, I_{Rated})
- Frequency 50/60 Hz
- According to EN 60289 / EN 61558
- Test voltage L-L 2500 V, DC 1 min; L-PE 2500 V, DC 1 min
- Insulation class T40/F
- Protection class: IP 00
- Climate category: DIN IEC 60068-1
- Overload $1.5 \times I_{Rated}$ 1 min/h
- Design: Mounted on brackets

N CNW 905



Technical details

N CNW 905							
Type	Nominal voltage U_N [V]	Nominal current I_N [A]	Inductance L [mH]	Losses P [W]	Weight [kg]	Weight Cu [kg]	Weight Al [kg]
N CNW 905 / 3	500 50 / 60 Hz	3	4,900	8	1	0,1	-
N CNW 905 / 6		6	2,440	15	1	0,2	-
N CNW 905 / 8		8	1,830	21	1	0,2	-
N CNW 905 / 10		10	1,460	20	2	0,2	-
N CNW 905 / 12		12	1,220	22	2	0,3	-
N CNW 905 / 16		16	0,910	26	3	0,5	-
N CNW 905 / 25		25	0,580	37	3	0,5	-
N CNW 905 / 36		36	0,400	43	4	0,7	-
N CNW 905 / 50		50	0,290	61	5	0,6	-
N CNW 905 / 70		70	0,200	100	10	0,9	-
N CNW 905 / 90		90	0,160	104	11	1,2	-
N CNW 905 / 110		110	0,130	133	11	1,5	-
N CNW 905 / 125		125	0,120	112	11	0,6	0,8
N CNW 905 / 160		160	0,090	101	16	0,8	1,1
N CNW 905 / 200		200	0,073	131	20	1,1	1,4
N CNW 905 / 250		250	0,059	180	21	1,0	1,2
N CNW 905 / 300		300	0,050	161	24	1,3	2,7
N CNW 905 / 350		350	0,042	201	25	2,2	2,7
N CNW 905 / 400		400	0,036	207	37	2,6	3,1
N CNW 905 / 500		500	0,030	241	38	2,6	4,1
N CNW 905 / 600		600	0,024	314	43	4,4	3,5
N CNW 905 / 700		700	0,021	365	57	5,0	4,4
N CNW 905 / 800		800	0,018	430	60	5,0	5,1
N CNW 905 / 900		900	0,016	499	66	10,8	5,5
N CNW 905 / 1000	1000	0,015	657	73	12,5	5,1	
N CNW 905 / 1200	1200	0,012	791	79	13,8	5,9	



Higher performance on request

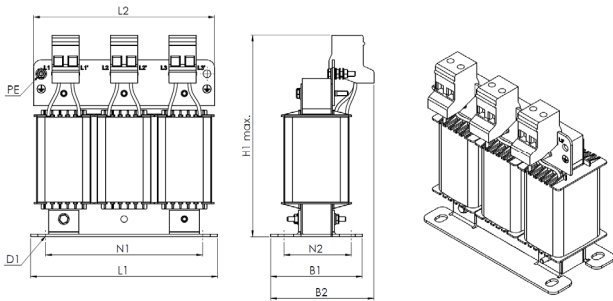
Typical applications: Drive systems for motor drives, mechanical engineering, elevators / escalators, pipes, conveyor technology, ventilation and air conditioning, robotics, automation technology, power supplies, wind turbines

Dimensions in mm

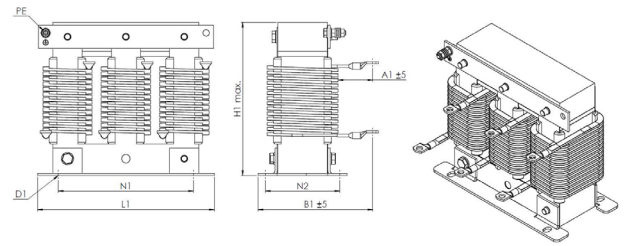
N CNW 905														
Type	Length		Width		Height	Mounting			Clamps/ Cross section [mm ²]	Connection				Design
	L1 [mm]	L2 [mm]	B1 [mm]	B2 [mm]	H1 [mm]	N1 [mm]	N2 [mm]	D1 [mm x mm]		Angle [mm x mm]	A1 [mm]	D2 [mm]	PE Ø [mm]	
N CNW 905 / 3	65	78	50	60	95	50	38	5 x 8	2.5	-	-	-	M4	1
N CNW 905 / 6	65	78	50	60	95	50	38	5 x 8	2.5	-	-	-	M4	1
N CNW 905 / 8	80	96	65	65	110	56	34	5 x 8	2.5	-	-	-	M4	1
N CNW 905 / 10	80	96	65	65	110	56	43	5 x 8	2.5	-	-	-	M4	1
N CNW 905 / 12	80	96	65	65	110	56	43	5 x 8	2.5	-	-	-	M4	1
N CNW 905 / 16	125	120	61	66	130	100	45	5 x 8	2.5	-	-	-	M4	1
N CNW 905 / 25	125	120	71	86	145	100	55	5 x 8	10	-	-	-	M4	1
N CNW 905 / 36	155	150	76	86	170	130	54	8 x 12	10	-	-	-	M6	1
N CNW 905 / 50	155	150	91	101	170	130	69	8 x 12	10	-	-	-	M6	1
N CNW 905 / 70	230	-	125	-	200	176	73	9 x 13	16 (M8)	-	45	-	M8	2
N CNW 905 / 90	230	-	125	-	200	176	73	9 x 13	16 (M8)	-	45	-	M8	2
N CNW 905 / 110	230	-	125	-	200	176	73	9 x 13	16 (M8)	-	45	-	M8	2
N CNW 905 / 125	230	-	112	-	200	176	71	9 x 13	-	25 x 3	33	9	M8	3
N CNW 905 / 160	230	-	140	-	200	176	95	9 x 13	-	30 x 3	38	11	M8	3
N CNW 905 / 200	240	-	160	-	210	185	107	10 x 18	-	30 x 4	39	11	M8	3
N CNW 905 / 250	240	-	165	-	210	185	112	10 x 18	-	30 x 4	39	11	M8	3
N CNW 905 / 300	300	-	151	-	270	224	95	10 x 18	-	30 x 4	39	11	M12	4
N CNW 905 / 350	300	-	162	-	270	224	95	10 x 18	-	40 x 5	49	13	M12	4
N CNW 905 / 400	340	-	171	-	305	248	115	10 x 18	-	40 x 5	48	13	M12	4
N CNW 905 / 500	340	-	171	-	305	248	115	10 x 18	-	40 x 5	48	13	M12	4
N CNW 905 / 600	360	-	192	-	315	264	127	10 x 18	-	40 x 8	58	13	M12	4
N CNW 905 / 700	420	-	197	-	370	316	134	13 x 20	-	40 x 8	58	13	M12	4
N CNW 905 / 800	420	-	228	-	390	316	134	13 x 20	-	60 x 5	68	2 x 13	M12	4
N CNW 905 / 900	420	-	238	-	390	316	134	13 x 20	-	60 x 10	78	2 x 13	M12	4
N CNW 905 / 1000	420	-	241	-	440	316	134	13 x 20	-	60 x 10	78	2 x 13	M12	4
N CNW 905 / 1200	420	-	241	-	475	316	134	13 x 20	-	60 x 10	78	2 x 13	M12	4

*N CNW 905 / 3 - N CNW 905 / 160 is also available on request with cable lug or cables.

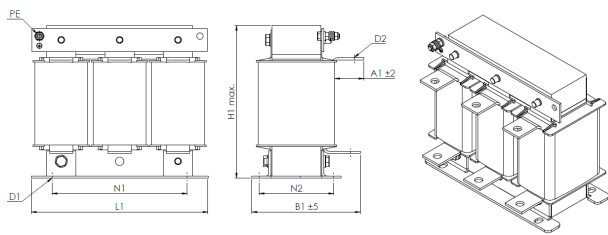
Design 1



Design 2



Design 3



Design 4

